



**GLAMORGAN
SPRING BAY
COUNCIL**

ORDINARY COUNCIL MEETING MINUTES

TUESDAY 27 JULY 2021

2:00PM

Council Chambers, Triabunna

NOTICE OF MEETING

Notice is hereby given that the next ordinary meeting of the Glamorgan Spring Bay Council will be held at the Triabunna Council Offices on Tuesday, 27 July 2021, commencing at 2:00pm

QUALIFIED PERSON CERTIFICATION

I hereby certify that, in accordance with section 65 of the *Local Government Act 1993*, any advice, information and recommendations contained in the reports related to this agenda have been prepared by persons who have the qualifications or experience necessary to give such advice, information and recommendations.

Dated this Thursday 22 July 2021



Greg Ingham
GENERAL MANAGER

IMPORTANT INFORMATION

- As determined by Glamorgan Spring Bay Council in April 2017 all Ordinary and Special Meetings of Council are to be audio/visually recorded and streamed live.
- A recording of the meeting will be available via the link on the Glamorgan Spring Bay Council website following the meeting.

In accordance with the *Local Government Act 1993* and Regulation 33, these video/audio files will be retained by Council for at least 6 months and made available for viewing live, as well as online within 5 days of the scheduled meeting. The written minutes of a meeting, once confirmed, prevail over the video/audio recording of the meeting.

TABLE OF CONTENTS

1. OPENING OF MEETING	4
1.1 Acknowledgement of Country	4
1.2 Present and Apologies	4
1.3 In Attendance	4
1.4 Late Reports.....	4
1.5 Declaration of Interest or Conflict	5
2. CONFIRMATION OF MINUTES	6
2.1 Ordinary Meeting of Council - 22 June 2021	6
2.2 Date and Purpose of Workshop/s Held	7
3. PUBLIC QUESTION TIME	9
3.1 Question without Notice.....	9
3.2 Questions on Notice	11
3.3 Responses to previous Questions without Notice taken on Notice - 22 June 2021.....	14
4. PLANNING AUTHORITY SECTION	15
5. FINANCIAL REPORTS	16
5.1 Financial Reports for the period ending 30 June 2021	16
6. SECTION 24 COMMITTEES	18
6.1 Minutes of Coles Bay Hall Committee Meeting - 3 May 2021	18
6.2 Minutes of Triabunna Recreation Ground Committee Meeting - 11 May 2021.....	22
7. INFORMATION REPORTS	25
7.1 Director Works and Infrastructure - Mr Peter Porch	25
7.2 Manager Buildings & Marine Infrastructure - Mr. Adrian O’Leary	29
8. OFFICERS’ REPORT REQUIRING A DECISION	31
8.1 Financial Management Strategy.....	31
8.2 2021/22 Annual Plan	33
8.3 Expressions of Interest - Provision of Primary and other Allied Health Care Services	35
8.4 Coles Bay Drinking Fountains	39
8.5 Waste Management Policy	43
8.6 Application under the Community Small Grants Program - Swansea Primary School Association	45
8.7 Application under the Community Small Grants Program - Freycinet Volunteer Marine Rescue Association	47
9. NOTICES OF MOTION	51
10. PETITIONS	52
11. QUESTIONS WITHOUT NOTICE FROM COUNCILLORS	53
Questions without notice by Councillors taken on notice - 27 April 2021.....	53
12. CONFIDENTIAL ITEMS (CLOSED SESSION)	56
13. CLOSE	57

1. OPENING OF MEETING

The Mayor welcomed Councillors, staff and one member of the public and declared the meeting open at 2:00pm.

1.1 Acknowledgement of Country

The Glamorgan Spring Bay Council acknowledges the Traditional Owners of our region and recognises their continuing connection to land, waters and culture. We pay our respects to their Elders past, present and emerging.

1.2 Present and Apologies

Present:

Mayor Robert Young
Deputy Mayor Jenny Woods
Clr Cheryl Arnol
Clr Keith Breheny
Clr Annie Browning
Clr Rob Churchill
Clr Grant Robinson
Clr Michael Symons (via telephone link)

Apologies:

Nil

1.3 In Attendance

General Manager, Mr Greg Ingham
Executive Officer, Ms Jazmine Murray
Director Planning and Development, Mr Alex Woodward
Director Works and Infrastructure, Mr Peter Porch
Director Corporate and Community, Mrs Elysse Blain

1.4 Late Reports

DECISION 119/21

Moved Clr Keith Breheny, seconded Clr Grant Robinson that Council accepts late report item 'Policy Update - Information Management Policy' as late agenda item 8.8.

THE MOTION WAS PUT AND CARRIED UNANIMOUSLY 8/0

For: Mayor Robert Young, Deputy Mayor Jenny Woods, Clr Cheryl Arnol,
Clr Keith Breheny, Clr Annie Browning, Clr Rob Churchill,
Clr Grant Robinson, Clr Michael Symons

Against: Nil

1.5 Declaration of Interest or Conflict

The Mayor requests Elected Members to indicate whether they have:

1. *any interest (personally or via a close associate) as defined in s.49 of the Local Government Act 1993; or*
2. *any conflict as described in Council's Code of Conduct for Councillors,*

in any item included in the Agenda.

Nil.

2. CONFIRMATION OF MINUTES

2.1 Ordinary Meeting of Council - 22 June 2021

RECOMMENDATION

That the Minutes of the Ordinary Meeting of Council held on Tuesday 22 June 2021 at 2:00pm be confirmed as a true and correct record.

DECISION 120/21

Moved Deputy Mayor Jenny Woods, seconded Clr Annie Browning that the Minutes of the Ordinary Meeting of Council held on Tuesday 22 June 2021 at 2:00pm be confirmed as a true and correct record.

THE MOTION WAS PUT AND CARRIED UNANIMOUSLY 8/0

For: Mayor Robert Young, Deputy Mayor Jenny Woods, Clr Cheryl Arnol,
Clr Keith Breheny, Clr Annie Browning, Clr Rob Churchill,
Clr Grant Robinson, Clr Michael Symons

Against: Nil

2.2 Date and Purpose of Workshop/s Held

TUESDAY 6 JULY 2021

In accordance with the requirements of regulation 8(2)(c) of the *Local Government (Meeting Procedures) Regulations 2015*, it is reported that a Council workshop was held from 1:30pm to 4:00pm on Tuesday 6 July 2021 at the Council Offices, Triabunna.

Present

Mayor Robert Young
Deputy Mayor Jenny Woods
Clr Cheryl Arnol
Clr Annie Browning
Clr Keith Breheny
Clr Rob Churchill

Apologies

Clr Grant Robinson
Clr Michael Symons

In Attendance

Mr Greg Ingham, General Manager
Mr Alex Woodward, Director Planning and Development
Mrs Elysse Blain, Director Corporate and Community
Mr Peter Porch, Director Works and Infrastructure
Mr Mick Purves, Senior Planning Consultant

Guests

Nil

Agenda

- Request to amend Southern Tasmania Regional Land Use Strategy & Orford Structure Plan
- Financial Management Strategy
- Medical Centres - Expressions of Interest
- Dog Management Policy
- Prosser River Masterplan

TUESDAY 13 JULY 2021

In accordance with the requirements of regulation 8(2)(c) of the *Local Government (Meeting Procedures) Regulations 2015*, it is reported that a Council workshop was held from 1:30pm to 4:30pm on Tuesday 13 July 2021 at the Council Offices, Triabunna.

Present

Mayor Robert Young
Deputy Mayor Jenny Woods
Clr Cheryl Arnol
Clr Keith Breheny
Clr Annie Browning
Clr Rob Churchill
Clr Michael Symons

Apologies

Clr Grant Robinson

In Attendance

Mr Greg Ingham, General Manager
Mr Alex Woodward, Director Planning and Development
Mrs Elysse Blain, Director Corporate and Community
Mr Peter Porch, Director of Works and Infrastructure

Guests

Ms Ruth Dowty
Mr Robin Cooper
Mr Samuel Paske
Mr Stephen Purvis (via telephone)

Agenda

- Presentation by TasWater
- Bicheno Gulch Project
- Draft 2021/22 Annual Plan

RECOMMENDATION

That Council notes the information.

DECISION 121/21

Moved Clr Keith Breheny, seconded Clr Annie Browning that Council notes the information.

THE MOTION WAS PUT AND CARRIED UNANIMOUSLY 8/0

For: Mayor Robert Young, Deputy Mayor Jenny Woods, Clr Cheryl Arnol,
Clr Keith Breheny, Clr Annie Browning, Clr Rob Churchill,
Clr Grant Robinson, Clr Michael Symons

Against: Nil

3. PUBLIC QUESTION TIME

Public question time gives any member of the public the opportunity to freely ask a question on any Council related matter.

Answers to questions will be given immediately if possible or taken “on notice” if an ‘on the spot’ answer is not available.

In accordance with the Local Government (Meeting Procedures) 2015 questions on notice must be provided at least 7 days prior to the Ordinary Meeting of Council at which a member of the public would like a question answered.

3.1 Questions without Notice

Glamorgan Spring Bay Council will allow questions to be provided by written notice by 12 noon the day before the ordinary council meeting by either emailing general.manager@freycinet.tas.gov.au or alternatively left in the post box outside the Council Chambers located at 9 Melbourne Street, Triabunna.

Mr Wayne Murray

Mr Murray advised there is quiet a high level of dissatisfaction in the community at the moment in regards to the rates change, however, there is also some dissatisfaction which is not new, being that the community don't believe that the Council is very good at communication; either communicating with the community or listening to the community.

It is Mr Murray's view that the dissatisfaction from the community is to do with the failure of communication, not that Council are not trying to communicate, but Council are not being seen to communicate effectively.

Mr Murray asked the following question:

Can the Council please put your collective minds to opening up the communication channels with the community more fully, and more effectively, in both directions?

Response from Mayor Robert Young

The Mayor asked Mr Murray to elaborate on his questions in writing to the General Manager and advised that a response will be provided.

Mr Tony A Howells

To the Mayor and Councillors Questions without notice

Q1. *Could you please explain how come this new system of rating dwellings in the GSB Municipality is Fair. My rates have taken an increase of 87.5% not 15% as was stated by the mayor, as I see this new system as a cash grab by the Mayor. Also why wasn't Tassal made to pay for installation of the Pipeline*

Response from General Manager, Greg Ingham on behalf of Mayor and Councillors

The newly adopted Assessed Annual Value (AAV) is deemed fairer than the old Average Area Rate (AAR) in that it reflects the growth and property value increase in our municipality rather than being a flat rate model applied to all residences properties in each town, irrespective of value. In moving to a rating system that is based on the value of individual properties means a significant number of residents have seen a reduction in their rates, others little change at all, while others with high value properties have seen a rates increase. Even where rates have increased however, they are in line with or lower than rates charges in neighbouring municipalities.

The Council at the time, supported the Prosser Raw Water Scheme and the construction of the 'Pipeline' and sought funding accordingly. The project was co funded by way of a Federal Government grant and Council. Council receives revenue from Tassal for the volumetric use of water from the raw water scheme, which next year is budgeted at \$290,000.

Ms Jen Hackett

- Q1. *To further my understanding of Council financial reports, can you please tell me what income category the waste levy and service charge we see on our rates notices, and the medical charge we see on our rates notice fall under on the Profit and Loss statement? It is not clear at all to the reader of the profit and loss statement. This should be readily at hand and I do not expect this to be taken on notice.*

Response from General Manager, Greg Ingham

The income category for the waste levy and medical levy on the rates notice are included in the Profit and Loss statement in the financial report under Rate Revenue - Page 1. More detail is available in the Information Briefing Document, published quarterly, where the levies are broken down per activity area.

- Q2. *I have noticed on past annual reports and budgets that there is a other income category for reimbursement of loan for the PPRWS loan, so I am now quite confused and I need further clarification of the situation. Could you please state the total money receipts (\$AUD) for the 2020, 2021 and budgeted for 2022 for the PPRWS (both income from the scheme and reimbursements of loan and interest payments for the loan), including income from water sales and reimbursements for the loan (actual and budgeted), and state what the money receipt or budgeted items are. i.e. how much was received or budgeted, what year was it received in or budgeted, and what was it, income or reimbursement of loan.*

Response from General Manager, Greg Ingham

Tassal have paid \$156,618 for 2020/21, for water used. Charges are calculated based on volume of water taken during the year at a rate which includes covering loan repayments. A further invoice will be raised once end of year reconciliations are completed for any adjustment required.

The budgeted revenue for 2021/22 is in the order of \$290,000.

Mr Keith Pyke

Mr Ingham at the last Triabunna Community connect meeting with Council, I verbally sought conformation from [REDACTED] that there would be Community Representation and involvement in the development of the EOI package, terms of reference etc, through to the selection Committee! [REDACTED] acknowledged in agreement that this would be the case.

- Q1. *Can you please explain to me and the Community Sir how this EOI was developed internally, again, within Council? with Officers, Medical Practitioners leaving the requested acknowledged Community Representation out? and being presented to Council at today's meeting.*

Response from General Manager, Greg Ingham

The EOI was developed by Council Officer's by consulting with qualified Medical Practitioners within our municipality. This was referred to Council's lawyer to ensure it met the requirements of the *Local Government Act 1993* and Council's Code for Tenders and Contract's. The report identifies that there will be independent qualified Medical Practitioners on the assessment panel who have local knowledge of our area and medical issues.

Community representation by way of an elected member is included. It should be noted that outside of the Council Officer's involved, the panel needed to include Medical Practice expertise.

3.2 Questions on Notice

Dr Robyn Moore

Q1. *All citations are from GSBC's Asset Management Plan Buildings (AMPB) 2021:*

Given that:

- 1. the Swansea Courthouse and ancillary buildings are under-utilised assets that provide limited value to the community (AMPB, page 43), do not align with council's core purpose (AMPB, page 18), have "known service performance deficiencies" and require "renewal reworks" (AMPB, page 24) in 2021/2022 (AMPB, page 50);*
- 2. Council has several other buildings in Swansea to meet community needs, including the Swansea Hall, Swansea Community Hub, East Coast Heritage Museum, Swansea Recreation Ground clubrooms and Swansea Emergency Services building;*
- 3. Council has a strategic goal to "Implement a structured approach to identifying financial inefficiencies" (AMPB, page 15) and there are insufficient funds to maintain existing assets (AMPB, page 28);*

please explain why the Swansea Courthouse and ancillary buildings are not listed as identified for disposal on page 34 of the AMPB 2021.

Response from General Manager, Greg Ingham

It is pleasing to note community interest in Glamorgan Spring Bay Council's Asset Management Planning, an integral part of our core business.

I understand the ownership/management/disposal of Swansea Courthouse and ancillary buildings have been discussed and considered by Council in previous years. There has been support in the Swansea community to retain and maintain the buildings for community use and therefore they are not listed for disposal in the Building Asset Management Plan.

It should be noted that assets identified for potential disposal in the Asset Management Plan are preliminary only and will require further investigation and community consultation and ultimately Council approval before any disposals are undertaken.

Q2. *Please explain why council hasn't divested itself of liabilities such as the Swansea Courthouse as an alternative to, or means to minimise, rate increases.*

Response from General Manager, Greg Ingham

See also response to Question 1.

The Swansea Courthouse is a multi-community use facility, well supported by the community and not considered a liability for this reason. Council continues to maintain the building to enable it to be used by various community groups such as the recent Dolphin Sands Ratepayers Association Annual General Meeting.

Other users include:

- Anglican parish office
- Yoga and exercise classes
- East Coast Community Arts Initiatives
- Committee meetings
- Musical performances
- Salvation Army
- Public meetings including the Community Connect session last month that you attended

A Conservation Management Plan ensures that this building of heritage value is protected for the community.

The outbuildings are used by East Coast Tourism, a veterinarian and to house the Swansea community car.

The Courthouse has had ongoing Council support and community grant funds to carry out improvements on the building. A dedicated team of volunteers continue to give freely of their time.

Council's Long Term Financial Plan sets out the strategy to reduce rates and ensure our Council is sustainable over the long term. Council will continue to investigate and implement cost saving measures wherever possible, including ensuring it makes strategic evidence-based decisions on new asset infrastructure, not ad hoc decisions.

Mr Yon Kikkert

Q1. *Please provide total cost to Council (including depreciation and/or amortisation) for the Swansea Courthouse and ancillary buildings for the financial years 2018-2019, 2019-2020 and 2020-2021.*

Response from General Manager, Greg Ingham

The total cost to Council in terms of expenditure on the Swansea Courthouse and ancillary buildings are;

- 2018/19 - \$0
- 2019/20 - \$0
- 2020/21 - \$30,052

Maintenance renewal work included, re flooring, re plumbing and electrical work. A significant component approx. \$20,000 of the 2020/21 involved drainage works to protect the building foundations.

The above costs exclude grant funding, community sponsorship and free volunteer time.

Depreciation for the 2018/19 financial year was \$6,200; for 2019/20 \$6,300. At the time of writing depreciation costs were still being finalised for 2020/21. This will be provided when available.

Routine maintenance cost (operation expenditure) runs at approximately \$2,000 per annum.

Q2. *Please explain the reasoning whereby Council decided to cut services such as Visitor Information Centres and Natural Resource Management while financial liabilities such as the Swansea Courthouse are maintained.*

Response from General Manager, Greg Ingham

Council has taken the necessary and very important actions to address the shortcomings in its business as identified in the July 2020 Performance Improvement Direction (PID) imposed under the Local Government Act. Specifically, the need for:

- Long Term Financial Management Plan
- Financial Management Strategy
- Strategic Asset Management Plan including five core business Asset Management Plans
- Asset Management Policy
- Asset Management Strategy

The PID clearly requires Council to prepare and maintain the Statutory Plans and is available on the Council website. This statutory work is now complete but to enable Council to achieve the required outcomes an organisational restructure had to occur to ensure there was a focus on core business. Hence difficult but necessary decisions had to be made in regard to the Visitor Information Centres and Natural Resource Management within the organisation to not only increase the focus on core business but also to ensure the organisation was financially sustainable into the future.

Mr Roger L Martin

Q1. *Given that by way of my letter e-mailed to the General Manager on 25th June 2021, the GSB Council has been alerted to numerous rather significant contradictions and inconsistencies between the long term financial plan and the proposed budget, will appropriate amendments, which address each of the identified contradictions and inconsistencies, be made to each document in order to ensure that they are congruent?*

Response from General Manager, Greg Ingham

Council's Long Term Financial Management Plan, Financial Management Strategy and Asset Management Plans (AMP's) have been prepared in accordance with Section 70 of the Local Government Act. These strategies and plans form an important part of Local Government business. They were also a requirement of the Performance Improvement Direction (PID) issued to Council in July 2020.

The General Manager does not agree that there are 'significant contradictions and inconsistencies' between the Long Term Financial Management Plan (LTFMP) and the budget. Council's budget is informed by the LTFMP and the AMP's. The LTFMP has been developed with Council's key financial strategies at its core: moderate underlying surpluses, sufficient liquidity and cash flow, minimize debt and ensuring asset renewal requirements are satisfactorily funded.

All of the above is available on Council's website.

Mr Martin's 25 June 2021 letter will be responded to under separate cover.

Q2. *If not, why not?*

Response from General Manager, Greg Ingham

Not applicable, see above response.

3.3 Responses to previous Questions without Notice taken on Notice - 22 June 2021

Ms Jen Hackett

Despite my questions that have appeared in recent agendas and our correspondence off agenda I still do not have some of the information I have been asking for.

Q1. Firstly please list in AUD\$ value the residential general rates per GSBC rate region for the 2021 financial year. I acknowledge you have provided me off agenda percentages for the breakdown. That is not the information I requested. I do believe it has been clear in the past that I was seeking dollar values of this breakdown. At the recent community connect session in Coles Bay ██████ told me that this information was easily obtained. It was the commercial portion of the rates that was difficult to obtain from your systems and you have provided me that off agenda. As you will no doubt take this on notice, I am happy with either budgeted or actual for the 2021 financial year given we are now about to enter a new financial year.

Response from General Manager, Greg Ingham

Please see information below.

Q2. Secondly please list the general residential rate breakdown budgeted per GSBC rate region, in AUD\$ value, budgeted for the 2022 financial year. As I think you will take this question on notice for next month I would have thought that by the July meeting this should be available from the 2022 financial budget. Again, ██████ said the residential general rate information per rate region was easy to obtain.

Response from General Manager, Greg Ingham

Please note that the residential rates for 2021 and the rates budgeted for the next financial year are included in the single table below.

Rate Type	Residential by Location	No. Properties 2021/22	Total Valuations 2021/22	% Valuation by Location	Total Rates 2021/22*	Total Rates 2020/21*
General	Residential - Apslawn	6	\$73,032	0.11%	\$ 5,780	\$ 4,950
General	Residential - Bicheno	863	\$13,796,222	20.67%	\$ 1,010,794	\$ 852,774
General	Residential - Buckland	62	\$637,872	0.96%	\$ 53,364	\$ 41,700
General	Residential - Coles Bay	581	\$10,948,911	16.40%	\$ 771,016	\$ 581,022
General	Residential - Cranbrook	23	\$258,088	0.39%	\$ 20,966	\$ 18,975
General	Residential - Dolphin Sands	230	\$3,823,264	5.73%	\$ 277,368	\$ 229,164
General	Residential - Douglas River	19	\$327,224	0.49%	\$ 23,534	\$ 19,266
General	Residential - Friendly Beach	2	\$38,400	0.06%	\$ 2,693	\$ 2,028
General	Residential - Lake Leake	1	\$9,984	0.01%	\$ 844	\$ 825
General	Residential - Levendale	4	\$43,424	0.07%	\$ 3,567	\$ 3,300
General	Residential - Little Swanport	78	\$1,250,432	1.87%	\$ 91,549	\$ 78,078
General	Residential - Nugent	2	\$25,472	0.04%	\$ 1,988	\$ 1,390
General	Residential - Orford	865	\$14,694,904	22.01%	\$ 1,060,372	\$ 864,942
General	Residential - Pontypool	36	\$461,956	0.69%	\$ 35,977	\$ 37,518
General	Residential - Rheban	32	\$514,836	0.77%	\$ 37,659	\$ 32,448
General	Residential - Rocky Hills	9	\$243,440	0.36%	\$ 15,967	\$ 9,126
General	Residential - Spring Beach	166	\$3,205,408	4.80%	\$ 224,495	\$ 163,254
General	Residential - Swansea	663	\$10,395,444	15.57%	\$ 765,452	\$ 656,058
General	Residential - Triabunna	500	\$6,003,256	8.99%	\$ 477,177	\$ 409,200
	Total	4142	\$66,751,569	100%	\$ 4,880,560	\$ 4,006,018
	*As at the beginning of the year. Does not include supplementary rates raised during the year.					

4. PLANNING AUTHORITY SECTION

Nil reports.

5. FINANCIAL REPORTS

5.1 Financial Reports for the period ending 30 June 2021

Author: Contract Accountant (Mrs Marissa Walters)

Responsible Officer: General Manager (Mr Greg Ingham)

ATTACHMENT/S

1. Profit & Loss for the period ending 30 June 2021
2. Balance Sheet as at 30 June 2021
3. Statement of Cash Flows for the period ending 30 June 2021
4. Capital Works as at 30 June 2021

BACKGROUND/OVERVIEW

The financial reports for the period ended 30 June 2021 as attached to this report are presented for the information of Council.

As discussed at the Council workshop held on 7 May 2020 Council's management information reports including departmental financial reports, will in future not be submitted to Council via the Council Meeting Agenda. These information reports will be included in a Councillor Briefing Document which will be circulated bi-monthly initially for the first six months effective this month, then quarterly thereafter and will be publicly available on the website.

Council's major financial reports will continue to be reported in the monthly Council agenda.

STATUTORY IMPLICATIONS

Various legislation.

BUDGET IMPLICATIONS

There are no budget implications recognised in the receipt and noting of these reports by Council.

RISK CONSIDERATIONS

Risk	Consequence	Likelihood	Rating	Risk Mitigation Treatment
Adopt the recommendation				
There are no material risks from adopting this recommendation.				
Do not adopt the recommendation				
By not receiving and reviewing the major financial reports on a regular basis, such as the Profit & Loss, Statement of Cash Flows, Capital Works and Balance Sheet, Council risks not meeting its financial management obligations.	Likely	Likely	High	By not adopting the recommendation Council is not endorsing the financial reports for the period ending the 31 May 2021. Council needs to endorse.

OFFICER'S RECOMMENDATION

That Council receives and notes the Financial Reports as attached to this report for the period ended 30 June 2021.

DECISION 122/21

Moved Clr Rob Churchill, seconded Clr Grant Robinson that Council receives and notes the Financial Reports as attached to this report for the period ended 30 June 2021.

THE MOTION WAS PUT AND CARRIED UNANIMOUSLY 8/0

For: Mayor Robert Young, Deputy Mayor Jenny Woods, Clr Cheryl Arnol,
Clr Keith Breheny, Clr Annie Browning, Clr Rob Churchill,
Clr Grant Robinson, Clr Michael Symons

Against: Nil

6. SECTION 24 COMMITTEES

6.1 Minutes of Coles Bay Hall Committee Meeting - 3 May 2021

Coles Bay Community Hall Committee Meeting Minutes

5pm 3rd May 2021

. Call to order

Nigel Carins called to order the regular meeting of the Coles Bay Community Hall Committee at 5pm on 03/05/2021 at the Coles Bay Community Hall.

Apologies from Kristin Hoerlein, Liz Swain

Rob Churchill (NC rang Rob & advised the agenda was extremely light and did not warrant Rob's time to travel for meeting)

. Roll call

Present: Nigel Carins, Kerrie Dean, Barb Barrett, Kathryn Whitchurch, Anne Melrose.

. Approval of minutes from last meeting

Minutes approved as circulated.

Moved Nigel Carins, 2nd Kathryn Whitchurch. Carried.

. Treasurer's Report:

See attached spreadsheet, Note Cash on hand is Miscellaneous Hall Hire.

Treasurer's report is endorsed

Agreed cash on hand be banked

Moved Kerrie Dean, 2nd Anne Melrose. Carried.

. Business Arising

a). **FAI report from Liz** tabled. –

report removed, as does not pertain to the Hall Committee.

b). Update on Hall Annex plans. Kathryn presented her proposed alterations to plan 2016-004-01 issue No 1.

Discussion agreed to realignment of kitchen to an approximate area 6m x 5m.

Enclosure and enlargement of Library.

1 door for Doctors Room (note on discussing with Doctor, she requires 2 doors).

Align southern wall of Annex (carpark) in line with Hall southern wall, which improves

the total area of annex to support kitchen realignment.

Nigel reported that Kristin had received an email response from Adrian O’Leary regarding the redevelopment. Adrian is very willing to meet the committee to discuss. An application to Council will need to be made to secure funding for the plans, then a DA to get planning approval. Costs for the build will need to be sought. The committee agreed we ask Adrian to proceed in request to Council for initial funding to get plans drawn and a DA sought.

c). Recycle Garbage Bin

Kristin received a response from Council informing that this idea has been trialed with limited success. Unwanted garbage rather than recyclable items was being placed in these bins. Council now researching other types of bins specific for containers etc.

d). Signage for Hall Annex wall. Nigel apologised for not completing this request from last meeting, he will follow up.

e). Court Upgrade The tennis courts have been successfully fully resurfaced, lines repainted, root barrier dug in.

One net needs repair and One pole winder has gone missing.

Anne offered to follow-up

Adrian O’Leary has secured council funding for the basketball hoop and backboard. He has confirmed he is seeking 3 quotes and quotes for installation.

f). Outdoor seat. Council to fund and install

Open discussion.

FAI Key request for a key. Agreed the current key box @ 16A Harold St is available for FAI, this system is working well for all users. Nigel to respond to request.

Emptying of Garbage Bins for the Hall. Requires a dedicated person. Nigel to approach Leigh Williams to see if his contract can cover these bins.

. **Next meeting Date:** Monday 6th September, 5pm.

Nigel Carins adjourned the meeting at 5.45pm

Minutes submitted by Kristin Hoerlein.

Minutes approved by Nigel Carins.

RECOMMENDATION

That the Minutes of the Coles Bay Hall Committee meeting held on 3 May 2021 be received and noted.

DECISION 123/21

Moved Cllr Annie Browning, seconded Deputy Mayor Jenny Woods that the Minutes of the Coles Bay Hall Committee meeting held on 3 May 2021 be received and noted.

THE MOTION WAS PUT AND CARRIED UNANIMOUSLY 8/0

For: Mayor Robert Young, Deputy Mayor Jenny Woods, Cllr Cheryl Arnol,
Cllr Keith Breheny, Cllr Annie Browning, Cllr Rob Churchill,
Cllr Grant Robinson, Cllr Michael Symons

Against: Nil

May-21

Bank Balance as at the 31st January	3475.11	
Income		
Total Earnings		
Expenditure		
Total Expenditure		Total
Opening Bank Balance		3475.11
Plus Total Earnings		
Less Total Expenditure		
Total Funds in Bank at End of April		3475.11
Plus Cash on Hand		276.7
Total Funds		3676.81
Total unpaid Invoices		
	Karma Art	\$40
	Long Point Yoga	\$130.00
	Wu Tao for Peace & Balance	\$150.00
		\$320.00



GLAMORGAN SPRING BAY COUNCIL
Section 24 Advisory Committee Meeting
Triabunna Recreation Ground

MINUTES

MEETING HELD – *Tuesday 11th May, 2021* – *Recreation Room*

MEETING OPENED: 5.31 pm

PRESENT: Phil Giffard, Steve Davies, Deputy Mayor Jenny Woods, Jim Walters, Councillor Cheryl Arnol, Jan Sweet

APOLOGIES: Neil Edwards

ABSENT: Nerissa Alomes

CONFIRMATION OF LAST MINUTES: (1st July , 2020)

Moved: Steve Davies Seconded: Deputy Mayor Jenny Woods Carried

CORRESPONDENCE IN:

- Email from Adrian O’Leary – Manager Building & Marine Infrastructure re: Aurora Meter Exchange
- Bev Allen - Emergency Management & Risk Project Officer (GSBC) re: Covid-19 Sport & Recreation Grant Program Tranche 2

CORRESPONDENCE OUT:

- Draft Submission for Improving the Playing Fields Grant to Lynda Bain – Client Manager, Sport & Recreation Infrastructure Grants – application was accepted but unsuccessful.
- Letters to Labour & Liberal parties outlining budget items for funding for Spring Bay Recreation Ground sports precinct.

MATTERS ARISING FROM PREVIOUS MINUTES

- Automatic watering system is now locked and key being held by Council
- 2 exhaust fans for kitchen have been purchased
- Cricket nets have been erected.
- Phil Giffard commented on great condition of oval surface

TREASURERS REPORT

Working Financial

Opening Balance	\$	15,720.79
Income	\$	0.00
Expenditure	\$	6,430.98
Closing Balance	\$	9,289.81

Moved Steve Davies Seconded: Phil Giffard Carried

Deputy Mayor Jenny Woods left meeting at 6.30pm

NEW BUSINESS

- Phil Giffard proposed the following projects be funded from \$150,000 pledged by the Liberal party.
 - Upgrade of showers & toilets in both change rooms to AFL standard
 - Installation of chain mesh around the oval perimeter from ground level to top bar height $\geq 900\text{mm}$
 - Undercover seating/shelters alongside netball courts
 - Sealing of carpark from main entrance to tennis club car park
 - Widen & seal main entrance to recreation groundMoved Phil Giffard Seconded Steve Davies Carried
- Jan Sweet requested the purchase of replacement urn and sandwich press for kitchen.
- Deputy Mayor Jenny Woods to request Council to engage pest control company to address vermin & insect problem at Recreation Ground and buildings.
- Suggested that kitchen floor be upgraded with commercial floor covering and remainder of kitchen be painted
Moved Phil Giffard Seconded Steve Davies Carried

• NEXT MEETING

20th July, 2021 at 5.30 pm - **Recreation Ground.**

There being no further business, the meeting was declared closed at 7.00pm

Confirmed **Date**

Chairperson

RECOMMENDATION

That the Minutes of the Triabunna Recreation Ground Committee meeting held on 11 May 2021 be received and noted.

DECISION 124/21

Moved Cllr Keith Breheny, seconded Deputy Mayor Jenny Woods that the Minutes of the Triabunna Recreation Ground Committee meeting held on 11 May 2021 be received and noted.

THE MOTION WAS PUT AND CARRIED UNANIMOUSLY 8/0

For: Mayor Robert Young, Deputy Mayor Jenny Woods, Cllr Cheryl Arnol,
Cllr Keith Breheny, Cllr Annie Browning, Cllr Rob Churchill,
Cllr Grant Robinson, Cllr Michael Symons

Against: Nil

7. INFORMATION REPORTS

7.1 Director Works and Infrastructure - Mr Peter Porch

Asset Management; Roads, Bridges and Footpaths; Stormwater; Waste Management; Public Amenities; Parks, Reserves and Walking Tracks; Cemeteries

ASSET MANAGEMENT

Asset Management practice is the strategic driver for the activities of the department and is partnered by works that operate to maintain essential services to the community.

Asset management activities required for the implementation and development of the set of asset management plans include asset locations in Geospatial mapping (GIS). The collection of council stormwater assets in GIS continues.

End of year asset take up activities have been progressing to write off any remaining value in assets renewed before the end of their useful lives and to recognize new assets created within the financial year.

CONSULTANT SERVICES

Consultant services are required to deliver specialized services to Council for a range of generally short term requirements. Current consultant activities comprise:

- Aus-span engaged to provide tender specification for the repairs to bridges damaged in the March 2021 flood event. Vince Butler engaged to develop specifications for repairs to road infrastructure damaged in the same event. Funding for the repairs to the identified damage has been approved by State Government.
- Stormwater Management Plan: Cameron Oakley continues to work through a multitude of inundation issues with the outcome to be a schedule of future works encompassing a number of years of forward works. Each of these projects will come before council for consideration in future capital works programs. Projects will be assessed on the basis of risk to form a priority for scheduling the program that will be presented to council.
A component of this work is the South Orford Stormwater System Study. This is to assess the stormwater system capacity and function from Shed Hill through Mary Street to Walters Drive and Strawberry Hill Court. This will ensure the design proposed for a levy along the Orford Rivulet does not have any negative consequences. AD Design and Consulting are carrying out these works. Ongoing.
- Grant fund project delivery: Graeme Edwards is retained to deliver a range of projects funded by Commonwealth Grants. A number of sub-consultants are involved in these works also. Ongoing.
- Rheban Road Griffiths Rivulet Bridge tender being developed through Aus-span. Also incorporated in this project is liaison with TasNetworks for relocation of a power pole and associated power lines to facilitate installation of replacement bridge buttresses.
- Pitt and Sherry are developing tender design and specification for Vicary Street and The Esplanade intersection in Triabunna. Ongoing.

OPERATIONAL WORKS

- Work Requests: 32 recorded for the month. 75% from internal inspections.
- 10 unsealed road inspections completed.

ROADS, BRIDGES, FOOTPATHS, KERBS

- Glen Gala, Grange, Ferndale and Old Coach roads closed intermittently due to heavy rains in June.
- Greenhill Road- patching of worst sections of unsealed road- 85% completed
- Nugent Road, Buckland- repairing of potholes
- Strip Road maintenance grade completed
- Brockley Road and Stonehurst Road bridge approaches repaired after rain event on 17 June.

- Scheduled maintenance grading of unsealed roads in the Buckland area that were previously postponed due to Highway closure are now scheduled to start on 5/7/21 even though highway still closed.
- Parsons Lane, Coles Bay- road maintenance- **underway**
- Twamley Road, Buckland- repairing of potholes- **completed**
- Sally Peak Rd, Buckland- repairing of potholes - **completed**
- Glen Gala Rd bridge- removed flood debris from rain event 17/6
- Brockley Road bridges (X3)- repairs/debris removal after rain on 17/6
- Thermo plastic GIVE WAY lettering installed on bitumen at Corner of Douglas Street and Burgess Street, Bicheno due to recent accidents- **completed.**
- Roadside slashing up to date and on schedule.
- Unsealed road maintenance schedule developed to cover from July to October- **completed**
- Reviewing road condition of sealed sections of Sally Peak Rd, Twamley Rd and Court Farm Rd. Very old seal on these roads in very poor condition. Very expensive to re-seal considering these roads only service a low volume of traffic. Potential to remove seal and return to unsealed roads.

STORMWATER, DRAINAGE

- Bresnahan's Road culverts cleaning and 1 culvert realigned
- Parsons Lane, Coles Bay- road side drainage maintenance
- Greenhill Road culverts cleaning and roadside drainage works.
- Wielangta Road drainage culverts unblocked during prolonged rain
- Rudd Street, Orford stormwater maintenance on foreshore/beach- ongoing consultation with Parks and Wildlife
- Numerous road culverts and bridges attended during June wet weather

WASTE MANAGEMENT

- In the process of installing posts and security cameras at Orford and Coles Bay WTS following unauthorised dumping- Orford post installed.
- All WTS stations operating on Winter opening hours.
- Reviewing ROSCO bin placements paid by Council to identify savings- ongoing.
- Investigating best process to manage tyres across all WTS's for recycling- ongoing with JJ's.
- Investigating recycling of waste paint at WTS's through PaintBack.

PARKS, PLAYGROUNDS, RESERVES, WALKING TRACKS, CEMETERY

- 11 weekly inspections for the month completed
- Painting underway on play/gym equipment at Duck Park, Swansea to protect from corrosion and extend service life. This was a recommendation from last annual inspections- **ongoing.**
- All-Abilities swing seat for Duck Park- **completed and installed.**
- Bicheno foreshore walking tracks repaired in multiple locations after recent rain event.
- Swanwick foreshore reserve- clearing of open drains- **completed**
- Repair Triabunna skate park walking track- **underway**
- Open drain cleaning in Bicheno park near Sea Life centre. Cultural Heritage survey completed on area, awaiting PWS approvals to undertake. Drains are badly silted up and retaining stagnant water in the drains in turn omitting a strong smell and potential health risk if persons came into contact with the water- now have PWS approval and will be completed in July.
- Roadside weed spraying of unsealed roads re-introduced to achieve higher quality maintenance grades, along with pre grading culvert cleaning- **ongoing.**
- Esplanade West, Triabunna- bollard posts installed at end of Melbourne Street to stop vehicles driving on reserve/walkway- **completed**
- Preparation for national tree day – 3 sites, Triabunna, Swansea and Bicheno
- Flat weed (cape weed etc) spray program across the Municipal Area 90% complete with exception of ovals

- 12 Drought Effectuated Farms - activities conducted under the Tasmanian Weed Action Fund
- Communities combating Pest and Weeds grant works continuing through to December.
- Bicheno Cemetery rejuvenation continued
- Private works conducted through Weed Action Fund

EMERGENCY MANAGEMENT:

Officers attended the Southern Region Emergency Management Committee meeting in Hobart.

CAPITAL WORKS

- Test holes excavated in Spring Bay boat club parking area to identify ground conditions for upcoming stormwater extension scope.
- Seal inspections continued for formation of reseal program for 2021-22

Grant funded

- Swansea Main Street Paving: Concept nearing Community engagement phase.
- Bicheno Tasman Highway Footpath: Contract to be awarded
- Coles Bay Foreshore Footpath: Concept design developing to inform consultation.
- Bicheno Gulch Foreshore and Esplanade Upgrade: Awaiting approval prior to final design.
- Bicheno Triangle Upgrade: Design and consultation ongoing.
- Swanwick footpath - complete as far as funding allows. Project to have a second stage in the future to complete the designed works.
- Installation of park benches at Dolphin Sands Road and Swan River reserve. Infrastructure provided by Dolphin Sands Ratepayers Association- completed.
- Swansea boat ramp parking extension has been sealed - minor details to complete project 99% completed.

PLANT AND VEHICLES

- Planned trade and sale of vehicles continued.
- Scheduled Plant replacement and upgrade for 2020-21 completed
- Development of Council small plant and equipment inventory underway

GENERAL

- State Growth highway closure complete.
- Officers are investigating options for an application associated with the Black Summer Bushfire Recovery Grant program. Glamorgan Spring Bay is named within the grant arrangements as a council area impacted and therefore eligible to submit applications.
- The Capital Project for Saltworks, funded under the stage 3 Community Infrastructure Grant, incorporating boat trailer parking and public amenities is being reviewed. This is due to a change in the requirements for the location of the parking area. The budget allowed for minimal surface preparation on the existing unsealed parking area. This location has now been refused due to an aboriginal heritage assessment report. An approved alternative location requires substantial additional cost to establish and will not fit within the funding allocated. In addition the allocation has been reduced in the order of \$150,000 making the project unviable. Consideration is being given to alternative projects for the remaining 90k +/- of the funds.

Reserve bookings and Road closures

- Seafarers Memorial Sunday 17th October – road closure
- Swansea Christmas Parade by SES – Road Closure
- Orienteering Bicheno Oval 27/28 September
- Our Park – Multi-sport event 14/15 August
- Bicheno Beams sound and light show Lions Park July/August each night ten minutes sound by earphones via app

RECOMMENDATION

That Council notes the information.

DECISION 125/21

Moved Cllr Keith Breheny, seconded Cllr Grant Robinson that Council notes the information.

THE MOTION WAS PUT AND CARRIED UNANIMOUSLY 8/0

For: Mayor Robert Young, Deputy Mayor Jenny Woods, Cllr Cheryl Arnol,
Cllr Keith Breheny, Cllr Annie Browning, Cllr Rob Churchill,
Cllr Grant Robinson, Cllr Michael Symons

Against: Nil

7.2 Manager Buildings & Marine Infrastructure – Mr. Adrian O’Leary

Boat Ramps & Jetties · Triabunna Marina · Council Buildings · Planning, Building & Technical Compliance when required ·

PUBLIC AMENITIES AND BUILDINGS:

- General building maintenance is being undertaken to all buildings as required.

Drought Communities Programme Round 2

The Drought Relief Communities Programme Grant, round 2 projects have mostly been completed.

Some projects have been delayed due to supply of materials and contractors.

An extension of time for the completion of the projects has been approved by the Federal Government, the new completion date is the 31st of December 2021.

The criterion for the grant is to refurbish and improve Council owned Community infrastructure.

Buckland & Triabunna cricket practice nets are complete.

The Buckland Hall front entrance replacement will be completed by December 2021.

Local Roads and Community Infrastructure Program Phase 1

Most of the LCRI Program phase 1 projects have been completed.

The Coles Bay tennis courts have been re-surfaced.

Swansea Courthouse storm water drainage project is complete.

The Swansea Community Hall toilet refurbishment is in progress.

Swansea Child Care Centre fencing is complete.

Some other projects have been delayed.

Local Roads and Community Infrastructure Program Phase 2

Council received additional funds for Phase 2 of the Local Roads and Infrastructure grant program from the Federal Government.

Some of the projects for this funding are:

- CCTV security at the Swansea Museum – Completed
- Asphalt and line mark the car park at Bicheno Medical Centre - Works to be programmed.
- Asphalt and line mark the car park at the Triabunna Medical Centre - Works to be programmed.
- Install a hands-free hand washing station on the deck at the Triabunna Wharf toilets – Completed.
- Improve the waiting area at the Triabunna Port for visitors to the port and guests booked on tour vessels – In Progress.
- Install a basketball hoop at the Coles Bay Tennis Courts - Purchased and waiting for installation.
- Install CCTV for security around the Emergency Services Building at Swansea - Purchased and waiting for installation.

Local Roads and Community Infrastructure Program Phase 3

Council will receive additional funds for Phase 3 of the Local Roads and Infrastructure grant program from the Federal Government. A list of priority projects will be compiled.

Buckland Hall

During the Tasman Highway closure at Orford, the Buckland Hall was used by the Education Department to provide education to students unable to get to their schools. The Buckland Hall committee offered over the hall for this purpose and in return the education department installed fencing, acoustic dampeners as well as replacing the lighting with LED Fluro lighting.

MARINE INFRASTRUCTURE:

Boat Ramps and Jetties:

- General maintenance is carried out on Council owned boat ramps and jetties.
- **Bicheno Boat Ramp**
Marine and Safety Tasmania has submitted approved plans to Crown Land Services for the boat ramp jetty extensions at Bicheno. Once approval has been granted expressions of interest for the construction will be sort. This project is fully funded by M.A.S.T.

Triabunna Wharf and Marina:

- Ongoing general maintenance and inspections are carried out as required.
- **Triabunna Port Toilets**
A new hand washing station with contactless taps has been installed at the Triabunna Wharf/Marina toilets.

- **Triabunna Marina**

The Triabunna Marina is currently full, and no more berths are available.

Casual berthing is available for shorts stays through sub-leasing.

There are 35 people on the waiting list for a marina berth at Triabunna.

Marina Berth invoices for the 2021 -2022 financial year are complete.

RECOMMENDATION

That Council notes the information.

DECISION 126/21

Moved Clr Cheryl Arnol, seconded Clr Grant Robinson that Council notes the information.

THE MOTION WAS PUT AND CARRIED UNANIMOUSLY 8/0

For: Mayor Robert Young, Deputy Mayor Jenny Woods, Clr Cheryl Arnol,
Clr Keith Breheny, Clr Annie Browning, Clr Rob Churchill,
Clr Grant Robinson, Clr Michael Symons

Against: Nil

8. OFFICERS' REPORT REQUIRING A DECISION

8.1 Financial Management Strategy

Author: General Manager (Mr Greg Ingham)

Responsible Officer: General Manager (Mr Greg Ingham)

ATTACHMENT/S

1. DRAFT Financial Management Strategy

PURPOSE

The purpose of this report is to recommend that Council adopt the Financial Management Strategy as attached to this report.

BACKGROUND / OVERVIEW

The Financial Management Strategy (FMS) has been prepared following the receipt of the Performance Improvement Direction issued by the Minister of Local Government in July 2020.

The FMS provides Council with a strategic framework to guide the development of annual budgets and preparation of long-term financial planning.

A key objective of the FMS is to ensure that Council can sustainably fund the ongoing delivery of services whilst implementing the objectives identified in Council's 10 year Strategic Plan.

The achievement of the outcomes identified in the Financial Management Strategy will ensure Council's financial sustainability, thus providing the ability to deliver services, at their current levels, into the future while sharing the cost between current and future generations of ratepayers.

It is important to note that the FMS is a guiding document to consider when developing budget estimates, rather than a document that is dictating future decisions of Council.

A Draft Financial Management Strategy was presented to Council at a Workshop held on the 6 July 2021.

STRATEGIC PLAN

Guiding Principle

7. Communicate and explain Council's decisions and reasons in an open and timely manner.

Key Foundation

1. Our Governance and Finance

What we plan to do

- Be accountable and ensure good governance practice

STATUTORY IMPLICATIONS

Section 70A of the *Local Government Act 1993*

RISK CONSIDERATION/S

Not adopting the Financial Management Strategy will contribute to a non-compliance with the Performance Improvement Direction issued by the State Government.

OFFICER'S RECOMMENDATION

That Council adopts the Financial Management Strategy as attached to this report effective 27 July 2021.

DECISION 127/21

Moved Cllr Grant Robinson, seconded Cllr Rob Churchill that Council adopts the Financial Management Strategy as attached to this report effective 27 July 2021.

THE MOTION WAS PUT AND CARRIED UNANIMOUSLY 8/0

For: Mayor Robert Young, Deputy Mayor Jenny Woods, Cllr Cheryl Arnol,
Cllr Keith Breheny, Cllr Annie Browning, Cllr Rob Churchill,
Cllr Grant Robinson, Cllr Michael Symons

Against: Nil

8.2 2021/22 Annual Plan

Author: General Manager (Mr Greg Ingham)

Responsible Officer: General Manager (Mr Greg Ingham)

ATTACHMENT/S

1. DRAFT 2021/22 Annual Plan

PURPOSE

The purpose of this report is to submit the Glamorgan Spring Bay Council 2021/22 Annual Plan to Council for review, consideration and adoption.

BACKGROUND / OVERVIEW

The Annual Plan is one of Council's main reporting documents and provides specific information about the services and projects Council will undertake during the financial year in order to achieve the objectives and goals outlined in the Glamorgan Spring Bay Council's 10-year Strategic Plan 2020-2029.

Key actions are set out in this Plan that will enable Council to meet Community needs and achieve the Goals of the Strategic Plan.

During the last financial year, Council developed and adopted new Asset Management Plans (AMP's) and the Long Term Financial Management Plan (LTFMP). The AMP's have informed Council's budget and the Annual Plan with a strong focus on core business activities. Over \$3 million will be spent on infrastructure asset renewal supported by the AMP's. The LTFMP, also informed by the AMP's sets Council on a path to financial sustainability and growth.

The Annual Plan also includes the Budget Estimates for 2021/22 which were adopted by Council on the 22 June 2021.

The Draft 2021/22 Annual Plan was reviewed at the Council Workshop held on the 13 July 2021.

STRATEGIC PLAN

Guiding Principle

7. Communicate and explain Council's decisions and reasons in an open and timely manner.

Key Foundation

1. Our Governance and Finance

What we plan to do

- Be accountable and ensure good governance practice

STATUTORY IMPLICATIONS

Section 71 of the *Local Government Act 1993*

BUDGET IMPLICATIONS

The actions contained within the 2021/22 Annual Plan are consistent with the summary of estimates previously adopted by Council under section 82 of the *Local Government Act*.

RISK CONSIDERATION/S

Risk associated with the adoption of the 2021/22 Annual Plan is considered minimal as the initiatives identified within the Annual Plan are consistent with Council's Strategic Plan and Council's adopted 2021/22 budget.

OFFICER'S RECOMMENDATION

That Council adopts the 2021/22 Annual Plan as presented.

DECISION 128/21

Moved Deputy Mayor Jenny Woods, seconded Clr Keith Breheny that Council adopts the 2021/22 Annual Plan as presented.

THE MOTION WAS PUT AND CARRIED UNANIMOUSLY 8/0

For: Mayor Robert Young, Deputy Mayor Jenny Woods, Clr Cheryl Arnol,
Clr Keith Breheny, Clr Annie Browning, Clr Rob Churchill,
Clr Grant Robinson, Clr Michael Symons

Against: Nil

8.3 Expressions of Interest – Provision of Primary and other Allied Health Care Services

Author: Director Planning & Development (Mr Alex Woodward)

Responsible Officer: Director Planning & Development (Mr Alex Woodward)

ATTACHMENT/S

Nil.

PURPOSE

To provide Council with an update on the Expression of Interest process for the Provision of Primary and Other Allied Health Care Services, and the medical centres in general.

BACKGROUND / OVERVIEW

EOI process:

Council has operated the existing East Coast Health (ECH) model for a number of years and acknowledges the changes occurring in the landscape particularly the growing volume of aging population, nature of medical issues arising, access to skilled expertise and therefore is looking for efficiencies that could be realized through utilization of an operator within the health industry.

Following on from the closure of Spring Bay Medical and concerns raised by the community regarding the operations of, it was determined that it is an opportune time to investigate alternative service providers to operate the ECH Practices. In addition, the Swansea General Practice expressed an interest in joining in the ECH in this investigation.

Officers have been working closely with the current medical practitioners and have developed an Expression of Interest (EOI) package seeking a service provider to operate the three medical centers.

The EOI will be an open and transparent procurement process to appoint a suitable individual or organisation to operate the health centres and provide primary and other allied health care services in the Glamorgan Spring Bay municipality utilising as a minimum the Triabunna and Bicheno Health Centres in accordance with the requirements of the *Local Government Act 1993* and Council's Code for Tenders and Contracts. Due to Swansea General Practice essentially being an independent business, legal advice has suggested that the practice be excluded from the EOI process, however, if they wish, they may be able to negotiate independently with the successful tenderer if one is selected.

The outcomes sought from the EOI is a high level on continuity of primary health care that is affordable and accessible for all members of our community.

The process is intended to proceed as follows:

1. Conduct EOI process (this invitation)
2. Evaluate EOI responses
3. Following the evaluation and without limiting other options, the Council may:
 - a. Prepare a short list of invitees and invite further detailed proposals from those invitees; or
 - b. Conduct a subsequent procurement process (e.g. Request for Tender)
 - c. Enter into pre-contractual negotiations with one or more invitees; or
 - d. Commence a new process for calling for invitees' responses on a similar or different basis.

EOI timeframe:

The timeframe for the entire process is estimated in the table below:

Step	Start date	End date
Prepare and finalise the EOI documentation	June 2021	16 July 2021
Release of EOI	29 July 2021	26 August 2021
Panel evaluation of EOI submissions	September 2021	September 2021
Shortlisted EOI submitters notified	September 2021	September 2021
Start call for Tenders	September 2021	October 2021
Panel evaluation of tender submissions	October 2021	November 2021
Select preferred supplier. Notify tenderers.	November 2021	November 2021
Possible Contract approval and execution	November 2021	November 2021
Transition preparation and management	TBA	

The panel:

The Panel will consist of the Senior Council Staff, Councillor representation and local independent persons with medical expertise.

The panel was developed this way to ensure that there is adequate oversight for suitability, technical ability, process, financial analysis, and community outcomes.

General update:

Over the past several months, ECH staff have been working hard to ensure adequate medical care is available at both locations for ECH. There has been a number of difficulties in getting Locum GPs to travel to Tasmania as they are understandably concerned about getting stranded and being unable to return home to their families.

This evolving situation is placing additional pressure on the ability to maintain the service levels at both of our Practices at Triabunna and Bicheno. These challenges are on top of the existing shortage of GP's and other health professionals around Australia, which is being felt particularly hard in regional and remote locations. Currently there are approximately 50 unfilled GP vacancies in Tasmania.

As such there has been consistent efforts to recruit GPs to provide services to our communities at both sites. Whilst it has been a challenge, officers have been able to secure locum (travelling) GPs for periods of time to provide services at both Practices. Furthermore, ECH have recently been successful in recruiting two permanent GPs across our two practices.

East Coast Health, Triabunna:

Dr Winston Johnson continues to provide a high level of medical care to the community in his role at the Triabunna Practice. As communicated earlier in the year, we have arranged for a permanent GP to join this Practice. Unfortunately, the Doctor's start date has been delayed due to COVID restrictions and the Australian Government Registration requirements and timeframes around relocation. We expect that the realistic start date will be towards the end of the year.

However, Council Officers are currently communicating with several GP's who have expressed an interest in joining the Triabunna Practice permanently.

In the interim 6-week period we have organised some locum doctors to support Dr Johnson with the current workload.

Bicheno Medical Centre:

Dr Elizabeth Grey continues to provide a high level of medical care to the community in her role at the Bicheno Practice. We are pleased to advise that Dr Ashton Kelly will be joining Dr Grey at the Bicheno Practice at the beginning of August. Dr Kelly and his family have recently arrived back to Australia, after living in Europe for two years. Dr Kelly was previously working as an independent consultant for the World Health Organisation in Geneva, Switzerland, as well as the International Federation of Red Cross Red Crescent Societies.

ECH will also be using other locum doctors to support the practice before Dr Kelly commences.

STRATEGIC PLAN

Guiding Principle

Communicate and explain Council’s decisions and reasons in an open and timely manner.

Key Foundation/s

2. Our Community’s Health & Wellbeing

What we plan to do

- Work with health professionals to enhance the physical and mental health of ageing people.

STATUTORY IMPLICATIONS

The procurement is being undertaken in accordance with the requirements of the *Local Government Act 1993* and Council’s Code for Tenders and Contracts. The EOI documentation has been endorsed by legal practitioners.

BUDGET IMPLICATIONS

Council has an ongoing budget for the operation of the Health Centres. The costs associated with the EOI will be known once the tender process has been completed. At which time a further report will be presented to Council. The process will attract some minor costs for legal advice and officer time.

RISK CONSIDERATION/S

Risk	Consequence	Likelihood	Rating	Risk Mitigation Treatment
Adopt the recommendation				
This report is for receiving only and does not require a decision.				
Do not adopt the recommendation				
This report is for receiving only and does not require a decision.				

OFFICER’S RECOMMENDATION

That Council receive and note the Expression of Interest process for the Provision of Primary and Other Allied Health Care Services and general update.

DECISION 129/21

Moved Cllr Cheryl Arnol, seconded Cllr Keith Breheny that Council receive and note the Expression of Interest process for the Provision of Primary and Other Allied Health Care Services and general update.

THE MOTION WAS PUT AND CARRIED UNANIMOUSLY 8/0

For: Mayor Robert Young, Deputy Mayor Jenny Woods, Cllr Cheryl Arnol,
Cllr Keith Breheny, Cllr Annie Browning, Cllr Rob Churchill,
Cllr Grant Robinson, Cllr Michael Symons

Against: Nil

8.4 Coles Bay Drinking Fountains

Author: Director Works & Infrastructure (Mr Peter Porch)

Responsible Officer: Director Works & Infrastructure (Mr Peter Porch)

ATTACHMENT/S

Nil

PURPOSE

To provide information on a request from a community group for infrastructure to be located on Council land.

BACKGROUND / OVERVIEW

Council has recently adopted a policy, **Applying for Grants on Council Land**, to assist in managing the installation of infrastructure on public land. This proposal fits within the policy parameters and so will require a decision of council at a council meeting as the grant application is not included in Council's annual plan or capital works program.

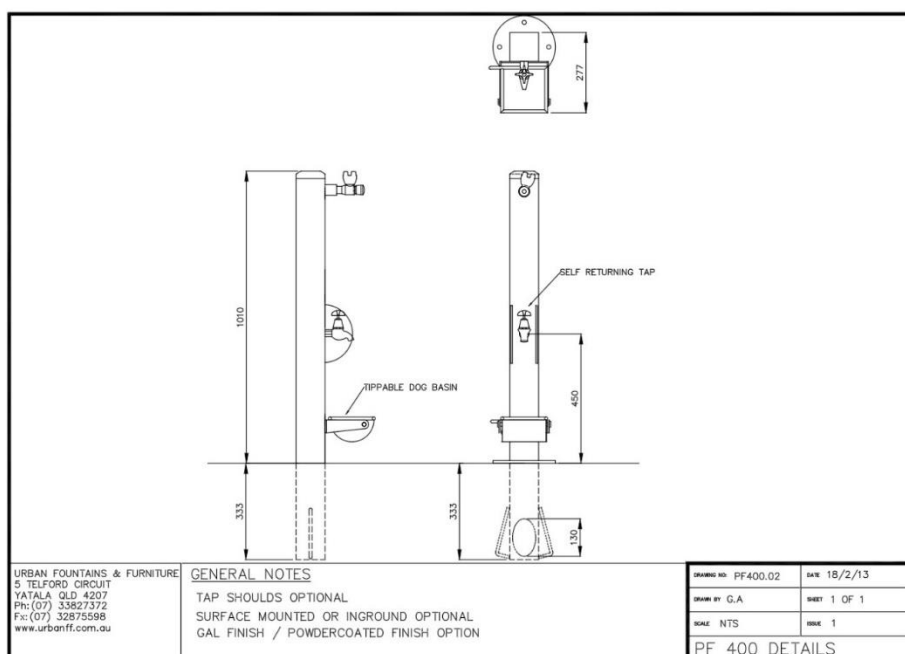
The Freycinet Association Inc (FAI) have been investigating the installation of at least three water bottle refilling stations for Coles Bay. This idea follows up on the very successful elimination of single use plastic bags from a few years ago initiated by FAI.

Advantages include:

1. Less plastic waste to the tip
2. Ability to rehydrate tourists, locals (and dogs) easily around the township and as a community service
3. Another environmentally friendly, clean green project for the Freycinet Peninsula

Recent investigation of options available suggest a robust water fountain, incorporating a bottle refiller, and dog water bowl at the base. A pic of the project unit type from Urban Fountains is included below.

FAI would like council support for three locations adjacent to toilets at Muir's Beach, Coles Bay Community Hall and at the bottom of Garnett Avenue.



CARE AND MAINTENANCE

- Regular washing down of the exterior surface will help prolong the lustre of the painted finish.
- Painted fountains that become dull due to prolonged exposure to direct sunlight can be restored with an appropriate surface polish.
- To maintain the exterior of the fountain carefully remove any loose surface deposits with a wet sponge. Use a soft (non abrasive) brush and dilute a solution of mild detergent (eg. PH-neutral liquid hand washing detergent in warm water (DO NOT use solvents) to remove dust, salt and other deposits. Rinse thoroughly with clean fresh water to remove residues. To remove any Tea Staining on Stainless Steel surfaces we recommend Drifter Hull cleaner and stain remover.
- Do not use any solvents on the surface as this will adversely affect the longevity of the painted finish.
- Surface scratches and inconsistencies can be touched up using Dulux touch up paint. Most colours can be matched.
- We recommend the use of anti-seize paste on all external fixing bolts to maintain ease of access over long periods of time.
- Check the fountain internal connections, water flow and all external access screws and fixing bolts regularly (every 3mths) to ensure they are tight.
- In high debris areas (parks, children's playgrounds etc) where there may be sand or bark or a lot of leaf litter that may be placed in to the basin, check regularly and remove debris to prevent blocking of the basin or the waste outlet pipe.
- After any interruption to the water supply, always flush the lines prior to reconnection to the fountain to prevent debris entering the valve.

WARRANTY

All Urban Fountains and Furniture outdoor drinking fountains are covered by a 2 year manufacturers guarantee against faulty materials and workmanship under normal wear and tear conditions. All fountains are date stamped at the time of despatch.

This warranty will only apply under the following conditions:

- The fountain was installed in accordance with our installation instructions that are supplied with every fountain.
- The fountain was installed by a licensed plumber
- The water lines have been thoroughly flushed prior to connection to the fountain
- The fountain has not been tampered with or repaired in any way without obtaining prior approval from our factory specialists first.
- The fountain has been serviced and maintained as per our supplied instructions.

ATTENTION PLUMBERS

This fountain uses "Push In Fittings". Failure to release these fittings correctly will result in leakage.

These quick release fittings allow instant connection and disconnection without the use of spanners.



Push water ring in to release tube from fitting. **urban** Fountains Furniture

Drinking Fountains

Model: PF400



INSTALLATION, OPERATION AND MAINTENANCE INSTRUCTIONS



Model: PF400 (Surface Mounted)



Model: PF400 (Inground)



Model: SPB

SPECIFICATIONS

- 3/8" bsb water inlet (15mm)
- Maximum Temperature: 40°C
- Maximum Water Pressure: 1000 kpa
- Complies with WMTS-105 Technical Specification: Appliances - Beverage dispensers and icemakers
- Complies with AS/NZS 4020 Testing of products in contact with drinking water

2 year warranty



CUSTOMER SERVICE

07 3382 7372

office@urbanff.com.au

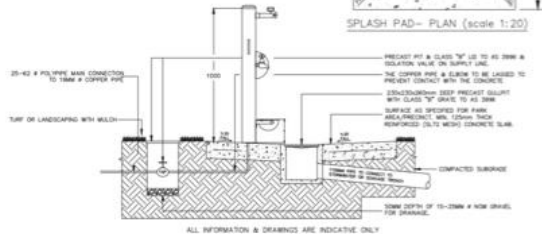
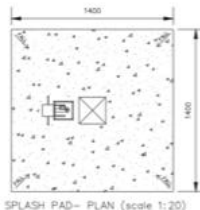
07 3287 5598

www.urbanff.com.au



INSTALLATION

- All UrbanFF Fountains must be installed by a qualified plumber in accordance with National plumbing and drainage code AS/NZS 3500.1 and AS/NZS 3500.2 and any local authority codes.
- Before Installation FLUSH ALL EXTERNAL LINES before connecting to fountain.
- Provide adequate level surface for mounting fountain as specified in local area codes (approx. 1400mm square pad) with a central drainage collection point.
- Remove the fountain from the packaging preventing scratching and damage
- All fountains have been checked for leaks as part of our quality assurance program and some droplets of water may be evident inside the packaging and/or unit. This is perfectly normal.
- Remove main access panel from fountain using 4mm allen key.
- If you have not flushed the external water inlet pipes – do it now! Flushing the water inlet pipes from the mains supply before connecting to fountain will help prevent blockage by any debris that may be in the external pipes.
- Connect the 40mm waste outlet pipe to the waste water connection.
- Test the bubbler by activating the button
- Refer to trouble shooting guide if you experience any problems
- Check all connections and waste piping to ensure they are tight and secure
- Re-install the access panel once satisfied the fountain is installed correctly.



TROUBLESHOOTING

There is restricted or no water flow?	Check the inlet lines for kinks in the tubing. Ensure the water supply valve is fully open. Check the water pressure regulator is open.
The water continues to drip / run after shutting off?	The most common cause of water not shutting off is a leaking valve and is due to the lines not being flushed adequately and debris getting in to the valve through the inlet and sitting on the rubber seals. To check the valve it will need to be removed. Please contact this office for details instructions to ensure this is done correctly.
The water flow is shooting over the top of the basin or is not high enough and trickling over the nozzle?	The water pressure is too high / low and needs to be adjusted via the water flow regulator so it flows in to the catchment area of the basin.
Leaking from the internal connections?	Check that they have been installed correctly. (all fountains are leak tested prior to leaving the factory). Have the push in fittings been pulled? (see instructions on how to connect and disconnect push in fittings). Is the water inlet connection tight?

SPARE PARTS

Y fitting	15-JGB-YPIECE	Self Returning Tap	15-TAP-BUB208C
1/4 x 90° LF-Fitting	15-LEGRM-ELB-8X1-4	Maintenance Tap	15-TAP-VP350
1/4 x 90° Fitting	15-JGB-ELB-1-4X30	Bottle Filler	15-BUB-TD9P
3/8 x 90° Fitting	15-JGB-ELB-3-8X30	Push Button Valve	15-VAL-ENW00415
1/4 Straight	15-JGB-STR-1-4	Water Regulator	15-REG-G14
3/8 Straight	15-JGB-STR-3-8	Mini Ball Valve	15-VAL-15MINBAL
1/2 x 90° Fitting	15-JG12-ELB-1-2X30	Stop tap BUB268	15-VAL-ENW00120
Blue Hose	15-HOS-BLU	Bubbler	15-BUB-TD9P



STRATEGIC PLAN

3. Our People

Key Foundation

Creating a positive working environment where Elected members, staff and volunteers can give of their best in performing their roles for Council and community.

4. Infrastructure and Services

Key Foundation:

Delivering high quality, cost-effective infrastructure and services that meet the needs of our communities, residents and visitors.

What we plan to do to achieve the results:

Maintain public amenities and recreational facilities

STATUTORY IMPLICATIONS

- Public Health Act 1997
- Tasmanian Drinking Water Quality Guidelines

BUDGET IMPLICATIONS

FAI to provide funds for purchase and delivery of the fountains and for their installation.

Expected whole of life costs are projected to be:

Water stations (by FAI) as quoted	1	\$9,175.00	\$ 9,175.00
Installation (by FAI)	3	\$1,000.00	\$ 3,000.00
Total Capital Outlay			\$12,175.00
Life of units	20 years	Annual dep	\$ 608.75
Annual operational costs for cleaning, water etc	item	1	450
Total annual addition to expenses			\$ 1,058.75

The locations will enable attachment to existing Council metered water supply and avoid additional costs to council.

Water use is anticipated to be negligible. Water filters are \$25.00 each and included in the operational cost in the table above.

RISK CONSIDERATION/S

Risk	Consequence	Likelihood	Rating	Risk Mitigation Treatment
Adopt the recommendation Minor impact on budget	Low	Low	Low	Significant community support for installation
Do not adopt the recommendation Contrary intention to key foundation 3	Moderate	Moderate	Moderate	

OFFICER'S ADVICE

The installation of these units is supported financially and in kind by community in Coles Bay through the FAI. There is a minor financial impact to the budget from their installation through ongoing maintenance and depreciation for renewal however the impact is minimal.

A benefit is a reduction of plastic bottles in the environment however this is likely to be more effectively mitigated by the container deposit scheme.

OFFICER'S RECOMMENDATION

That Council advise the FAI that the units may be installed subject to any plumbing or development processes required.

DECISION 130/21

Moved Clr Keith Breheny, seconded Clr Rob Churchill that Council advise the FAI that the units may be installed subject to any plumbing or development processes required.

THE MOTION WAS PUT AND CARRIED UNANIMOUSLY 8/0

For: Mayor Robert Young, Deputy Mayor Jenny Woods, Clr Cheryl Arnol,
Clr Keith Breheny, Clr Annie Browning, Clr Rob Churchill,
Clr Grant Robinson, Clr Michael Symons

Against: Nil

8.5 Waste Management Policy

Author: Director Works & Infrastructure (Mr Peter Porch)

Responsible Officer: Director Works & Infrastructure (Mr Peter Porch)

ATTACHMENT/S

1. Revision Draft - Waste Management Policy

PURPOSE

To provide a draft of a policy revision as per the Annual Plan actions, for adoption by Council.

BACKGROUND / OVERVIEW

Council has a Waste Management Policy which provides a level of governance over particular waste management issues.

Key items provided for in the policy are:

- A means for determining Genuine Disability for the purposes of the policy
- A system of vouchers for residents who are not able to access weekly kerbside services
- A system for conversion of kerbside collection to vouchers
- A waiver for the annual kerbside service charge
- The means for issuing new or additional kerbside collection bins
- Bin ownership

This edition of the policy provides no substantial change from the previous version.

Change is limited to deleting the Genuine Hardship definition and referring to the same definition in the Finance Hardship Assistance Model Policy to avoid confusion, and updating the policy to the present policy format.

STRATEGIC PLAN

Key Foundation:

Sound Governance and financial management that shows council is using ratepayer funds to deliver best value and impact for the GSBC community.

STATUTORY IMPLICATIONS

- *Local Government Act 1993*, Part 9 - Rates and Charges
- Rates and Charges Policy
- Financial Hardship Assistance Model Policy 3.14

BUDGET IMPLICATIONS

No change to budget position.

RISK CONSIDERATION/S

Risk	Consequence	Likelihood	Rating	Risk Mitigation Treatment
Adopt the recommendation Policy becomes current.				Positive consequence achieved
Do not adopt the recommendation Policy review date overdue - non-adoption likely due to concerns over content	Low	Low	Low	Review wording and re-present policy to council at future meeting.

OFFICER'S ADVICE

The existing policy has served council well with no significant issues arising from it. It does provide direction and a path for resolving issues which continue to arise from time to time.

OFFICER'S RECOMMENDATION

That Council adopt the revised Waste Management Policy

DECISION 131/21

Moved Clr Grant Robinson, seconded Clr Cheryl Arnol that Council adopt the revised Waste Management Policy.

THE MOTION WAS PUT AND CARRIED UNANIMOUSLY 8/0

For: Mayor Robert Young, Deputy Mayor Jenny Woods, Clr Cheryl Arnol, Clr Keith Breheny, Clr Annie Browning, Clr Rob Churchill, Clr Grant Robinson, Clr Michael Symons

Against: Nil

8.6 Application under the Community Small Grants Program – Swansea Primary School Association

Author: Director Corporate & Community (Mrs Elysse Blain)

Responsible Officer: General Manager (Mr Greg Ingham)

ATTACHMENT/S

1. Submitted application from Swansea Primary School Association.

PURPOSE

Recommendation for Council to approve a Small Grant application for \$1,000 for purchase of native plants for primary school playground.

BACKGROUND / OVERVIEW

Small Grant funding is available to assist the undertaking of activities within the Glamorgan Spring Bay municipal area. The assessment criteria is outlined in the Community Small Grants Fund policy, including:

- Grants are restricted to \$1,000, with exceptions up to \$1,500 at Councils discretion.
- Grants are available to not-for-profit individuals, community organisations and groups.
- Grants are intended to assist projects that (1) address relevant community issues of significance (2) are initiated within the community and actively involve local people and (3) improve access and encourage wider use of facilities.

This application from Swansea Primary School dated 4 June 2021 is for a contribution towards a project to return a portion of the school ground to original habitat to assist to attract wildlife. They have sought other Grant funding to assist with the greater project with costs estimates of approximately \$70,000. This application comprises of:

1. Purchase native plants and soil = \$1,000.
2. Contribution by school for architecture, materials and labour = \$2,000

STRATEGIC PLAN

Guiding Principles:

Reinforce and draw on the strengths of our communities at both a local and regional level.

Key Foundations:

2. Our Community's Health & Wellbeing:
Support and facilitate social and community events that promote community health and wellbeing.

STATUTORY IMPLICATIONS

Nil

BUDGET IMPLICATIONS

Applications for funding are considered throughout the financial year until such time as the available funds are exhausted. There is a \$25,000 Community Small Grants Program provision in the 2021/22 budget. At 27 July 2021 the full value of the budget is available to support this application.

RISK CONSIDERATION/S

Risk	Consequence	Likelihood	Rating	Risk Mitigation Treatment
Adopt the recommendation No risk	Low	Rare	Low	
Do not adopt the recommendation No risk	Low	Rare	Low	

OFFICER'S COMMENTS

This application satisfies the necessary criteria of the relevant policy.

OFFICER'S RECOMMENDATION

That Council approve this application for Small Grant funding of \$1,000.

DECISION 132/21

Moved Clr Rob Churchill, seconded Clr Cheryl Arnol that Council approve this application for Small Grant funding of \$1,100.

THE MOTION WAS PUT AND CARRIED UNANIMOUSLY 8/0

For: Mayor Robert Young, Deputy Mayor Jenny Woods, Clr Cheryl Arnol, Clr Keith Breheny, Clr Annie Browning, Clr Rob Churchill, Clr Grant Robinson, Clr Michael Symons

Against: Nil

8.7 Application under the Community Small Grants Program – Freycinet Volunteer Marine Rescue Association

Author: Director Corporate & Community (Mrs Elysse Blain)

Responsible Officer: General Manager (Mr Greg Ingham)

ATTACHMENT/S

Submitted application from Freycinet Volunteer Marine Rescue Association (Swansea).

PURPOSE

Recommendation for Council to approve a Small Grant application for \$1,000 for purchase of a wind speed monitor (anemometer) and annual service cost of 10 x Stormy Seas Lifejackets.

BACKGROUND / OVERVIEW

Small Grant funding is available to assist the undertaking of programs and activities within the Glamorgan Spring Bay municipal area. The assessment criteria is outlined in the Community Small Grants Fund policy, including:

- Grants are restricted to \$1,000, with exceptions up to \$1,500 at Councils discretion.
- Grants are available to not for profit individuals, community organisations and groups.
- Grants are intended to assist projects that (1) address relevant community issues of significance (2) are initiated within the community and actively involve local people and (3) improve access and encourage wider use of facilities.

This application from Freycinet Volunteer Marine Rescue Association (Swansea) dated 22 June 2021 is for a contribution towards the purchase of:

1. A hand-held wind speed monitor (anemometer), model Kestrel 5500 = \$700.
2. Annual Service of 10 x self inflating lifejackets (Stormy brand) at \$40 each = \$400.

STRATEGIC PLAN

Guiding Principles:

Reinforce and draw on the strengths of our communities at both a local and regional level.

Key Foundations:

2. Our Community's Health & Wellbeing:
Support and facilitate social and community events that promote community health and wellbeing

STATUTORY IMPLICATIONS

Nil

BUDGET IMPLICATIONS

Applications for funding are considered throughout the financial year until such time as the available funds are exhausted. There is a \$25,000 Community Small Grants Program provision in the 2021/22 budget. At 27 July 2021 the full value of the budget is available to support this application.

RISK CONSIDERATION/S

Risk	Consequence	Likelihood	Rating	Risk Mitigation Treatment
Adopt the recommendation No risk	Low	Rare	Low	
Do not adopt the recommendation Un-serviced lifejackets run the risk of failure in the event it is required at sea.	Possible	Moderate	Medium	

OFFICER'S COMMENTS

This application satisfies the necessary criteria of the relevant policy.

OFFICER'S RECOMMENDATION

That Council approve the application for Small Grant funding of \$1,000.

DECISION 133/21

Moved Clr Keith Breheny, seconded Clr Rob Churchill that Council approve the application for Small Grant funding of \$1,200.

THE MOTION WAS PUT AND CARRIED UNANIMOUSLY 8/0

For: Mayor Robert Young, Deputy Mayor Jenny Woods, Clr Cheryl Arnol, Clr Keith Breheny, Clr Annie Browning, Clr Rob Churchill, Clr Grant Robinson, Clr Michael Symons

Against: Nil

8.8 Late Report Item - Policy update – Information Management Policy

This Late Agenda Report Item is submitted in accordance with r.8(6) of the Local Government (Meeting Procedures) 2015.

Author: Director Corporate & Community (Mrs Elysse Blain)

Responsible Officer: Director Corporate & Community (Mrs Elysse Blain)

ATTACHMENT/S

1. Draft 'Information Management Policy'

PURPOSE

The purpose of this report is to recommend that Council adopts the "Information Management Policy".

BACKGROUND / OVERVIEW

This Policy will provide a strategic approach on Council's information management processes and the way Council manages information in its possession along with staff responsibilities.

DETAIL:

As part of a recent audit by Tasmanian Audit Office, it identified a shortcoming in Council governance in that information management policy was required.

This policy is to identify how Council will manage the creation capture, access, use, storage and disposal of all Council records. This is developed to ensure compliance with the relevant acts and state government guidelines. The policy applies to all staff, contractors and elected members of Council.

It is intended that guidelines will be developed to support this policy to provide clear guidance to those that it effects.

STRATEGIC PLAN

Guiding Principle

7. Communicate and explain Council's decisions and reasons in an open and timely manner.

Key Foundation

1. Our Governance and Finance

What we plan to do

- Be accountable and ensure good governance practice

STATUTORY IMPLICATIONS

- Local Government Act 1993
- Archives Act 1983
- Personal Information Protection Act 2004
- Right to Information Act 2004
- Privacy Act 1988
- Tasmanian Government Information Security policy

BUDGET IMPLICATIONS

To implement the policy there will be a requirement for some training and alterations to Council record management system that will be funded through the existing operational budget.

RISK CONSIDERATION/S

Risk	Consequence	Likelihood	Rating	Risk Mitigation Treatment
Adopt the recommendation				
As Council works through implementation of this policy, initially there may be non compliances.	Minor	Possible	Moderate	Regular reviews of the Policy are undertaken with actions to rectify non compliances in a timely manner consistent with the overall records management improvement processes.
Do not adopt the recommendation				
Council will not be able to comply with the requirements of the Audit Report and may be subject to penalties.	Moderate	Likely	High	1. Revise the Draft Policy and bring back to Council for adoption. 2. Ensure records continue to be captured until a policy is adopted.
Records are not captured adequately and resulting in inability to retrieve information when required.	Moderate	Likely	High	

OFFICER'S RECOMMENDATION

That Council adopt the Information Management Policy as attached to this report effective 27 July 2021.

DECISION 134/21

Moved Clr Annie Browning, seconded Clr Grant Robinson that Council adopt the Information Management Policy as attached to this report effective 27 July 2021.

THE MOTION WAS PUT AND CARRIED UNANIMOUSLY 8/0

For: Mayor Robert Young, Deputy Mayor Jenny Woods, Clr Cheryl Arnol, Clr Keith Breheny, Clr Annie Browning, Clr Rob Churchill, Clr Grant Robinson, Clr Michael Symons

Against: Nil

9. NOTICES OF MOTION

Nil.

10. PETITIONS

Nil.

11. QUESTIONS WITHOUT NOTICE FROM COUNCILLORS

Clr Cheryl Arnol

Through the Chair, Clr Cheryl Arnol made the following statement:

For too long now, I have been subjected to relentless accusations of somehow being the cause of Council's financial woes primarily because of what has become known locally as the Tassal Pipeline and decisions made in previous councils. It has raised its ugly head again with the recent rate rise being blamed on the pipeline in some quarters.

I have been asked to admit my mistake in voting for the pipeline at the time and resign. My decision was made on qualified advice that included the approval by Treasury of a loan to fund it and it was made as part of an 8-member Council who voted in majority.

Recently, the General Manager advised me that Tassal are paying their way; his term not mine. I had the following question without notice today -

When will Council admit to the broader community that Tassal are meeting their financial obligations under the contract in relation to the pipeline?

I was very pleased to see the responses from the General Manager in the earlier questions section that dealt with this matter so my question no longer requires a response from the General Manager.

Clr Michael Symons

Through the Chair, Clr Michael Symons directed the following questions to the General Manager:

These questions are in regard to the narrative and advice that has been given to Councillors in workshops and repeated to community by the administration and Mayor Young on several occasions with regards to moving from an AAR rating to AAV rating.

The advice given was that Council was not abiding with the Act and each year required a certificate from the Director of Local Government to allow rates to be raised after conducting yearly public consultation. Mayor Young stated the decision was based upon advice that it would not be legal if Council raised rates through the previous AAR rating method.

In an effort to help me understand that position my questions are:

- Q1. *What professional advice did Council receive on the matter?*
- Q2. *Who provided that advice?*
- Q3. *What form did that advice take?*
- Q4. *How was that advice conveyed to Councillors?*

Response from General Manager, Greg Ingham

The General Manager will provide a written response for Ordinary Council Meeting to be held on Tuesday 24 August 2021.

Some sitting Councillors have previously, and as recently as the last Council meeting made the following comments stating that the current Council had "inherited unserviceable debt", "had failed and non-existent asset management" "disastrous financial strategy" and "failed management of basic essential Council policies."

From these comments I believe it is clear some sitting Councillors blame this current Council's reported perilous financial position on decisions made by the previous administration and former Councillors.

I have heard this view repeated within some sections of the community.

If these claims are not valid it is an unreasonable slur against the performance of previous staff and Councillors.

In an effort for myself and others within the municipality to understand if this is a valid or reasonable view, I ask the following:

NOTE: My comparative figures are drawn from the audited results of 2018/ 2019 accounts as they would reflect the previous administration and Council's decisions. Those figures are compared to the approved budget figures for 2021/2022.

- Q1. *Wages in the audited accounts at June 2019 was \$3.859 million.
(Figure is less V.I.C wages of \$.489 million- Would the General Manager be able to confirm what wage amount would have been apportioned from the N.R.M department in this figure? And are there any other wages or salaries that should be included or not included?)
Budget for wages and salaries for 2021/2022 is \$4.976 million.
An increase of \$1.117 million over 2019 wages. What explanation can be given for this 29 % increase?*
- Q2. *Audited Materials and services in July 2019 was \$5.713 million. Budget 2021/2022 is \$7.952 million.
An increase of \$2.239 million over 2019 material and services expenses.
What explanation can be given for this 39% increase?
I am interested and somewhat concerned at why Council has a \$3.356 million increase in the wages and operational costs over a 3 year period, when inflation and wage increases are at a historical low.*
- Q3. *Can it be placed on the public record in simple and unambiguous terms what Asset borrowings Council has loans in place for, which the repayments of principal, interest and operational costs ,are covered by the income and revenue that the asset generates?
The two of particular interest would be The Triabunna Marina and Prosser River Raw Water Scheme.*

Response from General Manager, Greg Ingham

The General Manager will provide a written response for Ordinary Council Meeting to be held on Tuesday 24 August 2021.

Clr Cheryl Arnol

Through the Chair, Clr Cheryl Arnol directed the following questions to the General Manager:

On the 27th March Council received an email from the Freycinet Association Incorporated regarding Coles Bay Sewage - Health and Environmental Risks. The FAI requested Council's assistance in lobbying both State and Federal Governments for funding for a sewerage feasibility / costing study for the Freycinet townships of Coles Bay, Swanwick and the Fisheries and to gain a better understanding of the additional infrastructure required for treated drinking water. The pressure that is placed on the area by increased visitor numbers warrants such funding support by the State Government.

My questions are:

Q1. Will Council support the FAI in their efforts to achieve a feasibility study?

Response from General Manager, Greg Ingham

The Tasmanian Department of Premier and Cabinet (DPAC) engaged TasWater to complete the Freycinet Peninsula Wastewater Feasibility Study (FPWFS). The purpose of the FPWFS is to support the Tasmanian Parks and Wildlife Service (PWS) Freycinet Peninsula Master Plan through the development of feasible engineering options that effectively address sewerage challenges in the area. This report was completed in November 2019.

The study found that an adequate network would cost over \$60million and would require a large capital investment by all property owners who would be required to connect. TasWater's policy outlines that it requires an 80% support rate for the services to be viable. As part of the feasibility study, TasWater conducted community consultation. This survey of residential property owners found 46 percent would support the introduction of a sewerage network, 35 percent were against, and 19 percent were undecided. Following this investigation and consultation, TasWater did not proceed any further with progressing the network.

Whilst it is not disputed that some onsite wastewater systems in the Coles Bay area do fail at times and contaminate local water ways, this is not uncommon for areas which are not connected to reticulated sewerage networks. The water sampling in the area demonstrates that the water quality at the beaches is still at a very good quality compared to other built-up areas across Tasmania. Council continues to undertake the legislated work in relation to failing onsite wastewater systems and recreational water.

It is recommended that the matter of introducing of reticulated sewerage scheme to the Coles Bay area is best handled by the governing authority, TasWater.

12. CONFIDENTIAL ITEMS (CLOSED SESSION)

In accordance with the requirements of the Local Government (Meeting Procedures) Regulations 2015, the Mayor is to declare the meeting closed to the public in order to discuss the following matter/s:

Item 1: Minutes of Closed Session – Ordinary Council Meeting held on 22 June 2021
As per the provisions of regulation 15 (2) (a) and (d) of the *Local Government (Meeting Procedures) Regulations 2015*.

RECOMMENDATION

That Council moves into closed session at (Time:).

DECISION 135/21

Moved Deputy Mayor Woods, seconded Clr Grant Robinson that Council moves into closed session at 2:57pm

THE MOTION WAS PUT AND CARRIED UNANIMOUSLY 8/0

For: Mayor Robert Young, Deputy Mayor Jenny Woods, Clr Cheryl Arnol,
Clr Keith Breheny, Clr Annie Browning, Clr Rob Churchill,
Clr Grant Robinson, Clr Michael Symons

Against: Nil

The Mayor confirmed that the recording of the meeting was terminated and the microphones were switched off.

13. CLOSE

The Mayor declared the meeting closed at 2:59pm

CONFIRMED as a true and correct record.

Date:

Mayor Robert Young