


MATERIALS:

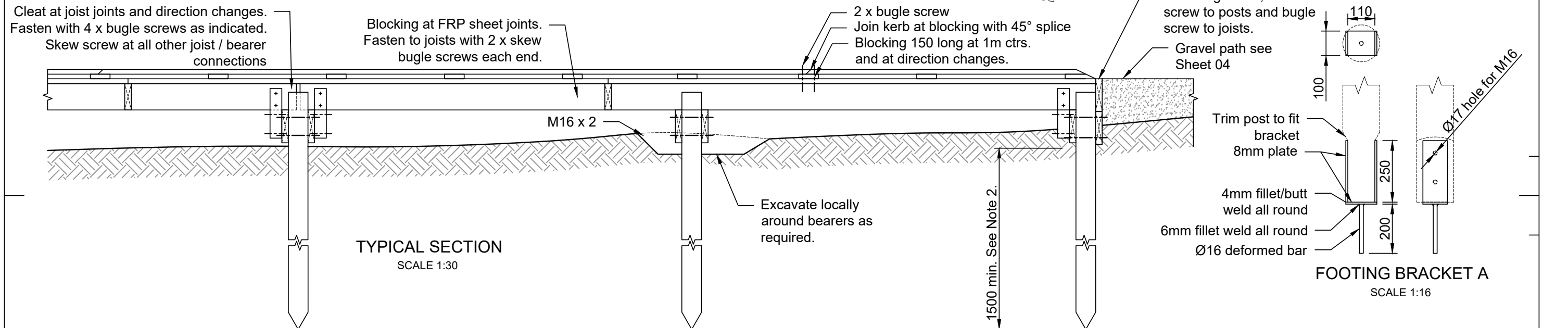
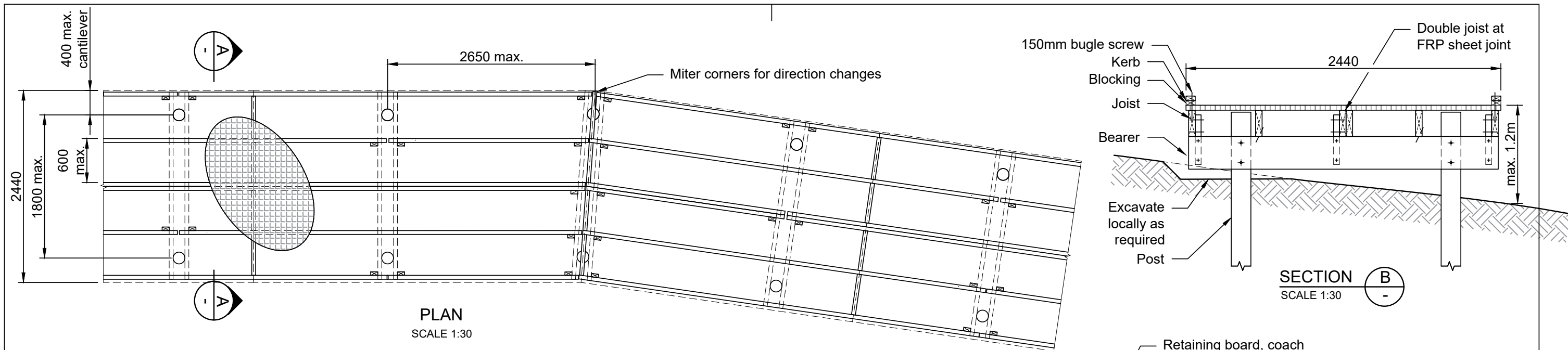
- Posts: 150 Round H6 Treated Pine.
- Bearers: 250 x 50 H4 treated, F5 grade treated pine
- Joists: 200 x 50 H4 treated, F5 grade treated pine
- Kerbs: 90 x 45 H4 Treated, F5 grade treated pine
- Cleats and Blocking: 90 x 45 H4 treated, F5 grade treated pine
- Deck : 38mm thick 38mm square FRP mesh, colour black grey RAL 7021. Fasten with proprietary stainless steel brackets at spacing as recommended by manufacturer.
- Fasteners and steelwork: 316 stainless steel sizes as indicated.

NOTES:

1. No direction changes on ramp
2. Posts are to be mechanically driven to refusal or minimum 1.5m. Alternative footing details are shown on sheet 03 if ground conditions are not suitable for driving.

**ISSUED FOR INFORMATION
NOT AS 1428 COMPLAINT**

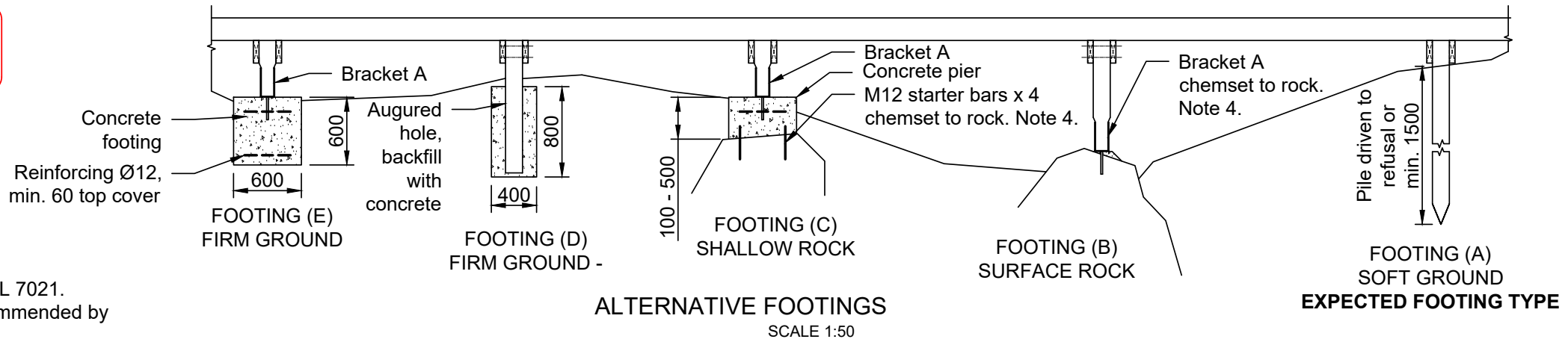
ALTERATIONS:	REFERENCE:	DRAWING TITLE: FREYCINET NATIONAL PARK PROPOSED SHARED USE TRACK RAMPED BOARDWALK DETAIL			
		DRG NO.: PWS-118986-02	SHT SIZE: A3		REV: 0
		DRAWN: H LEES	DATE: 03/02/2022		



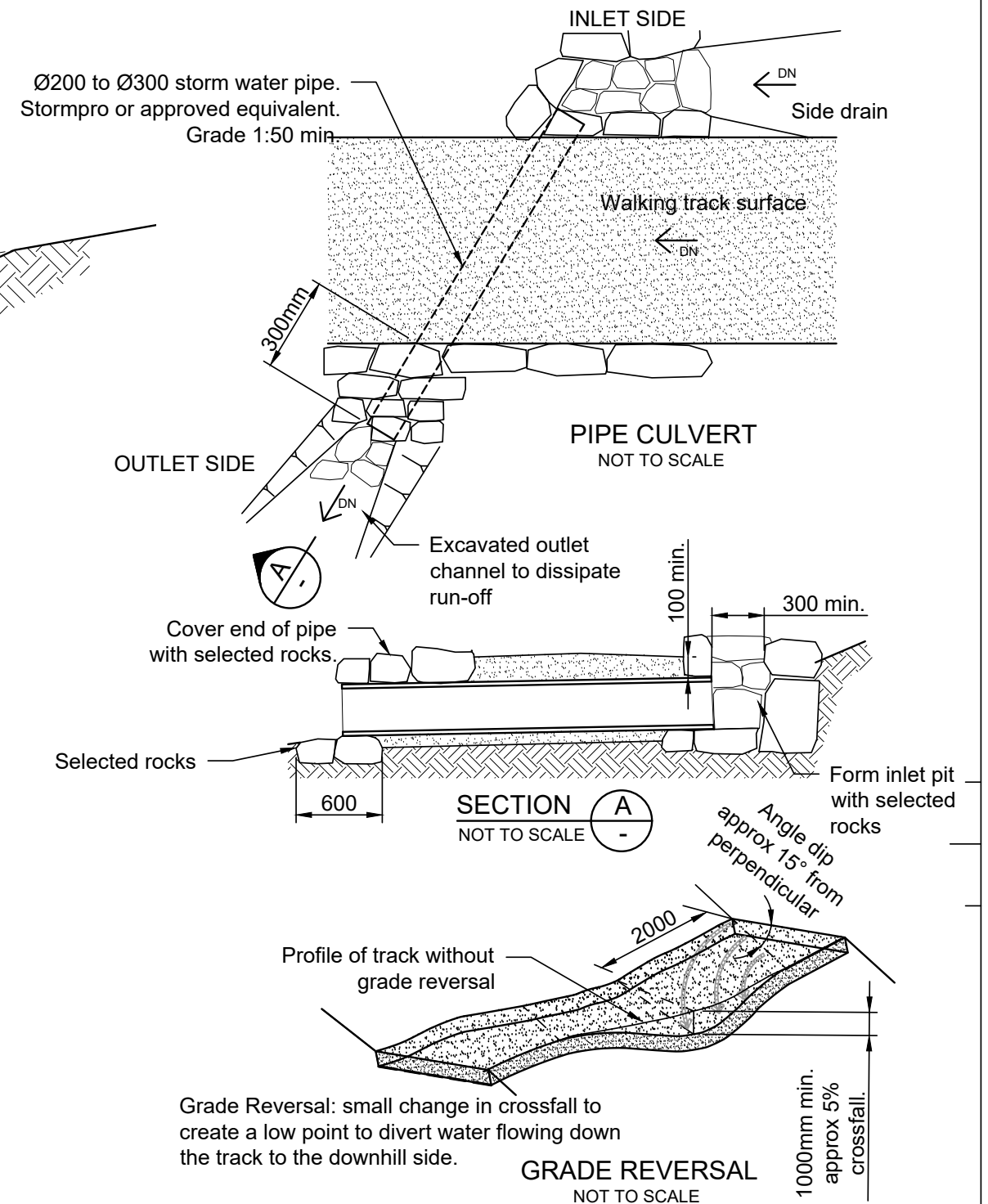
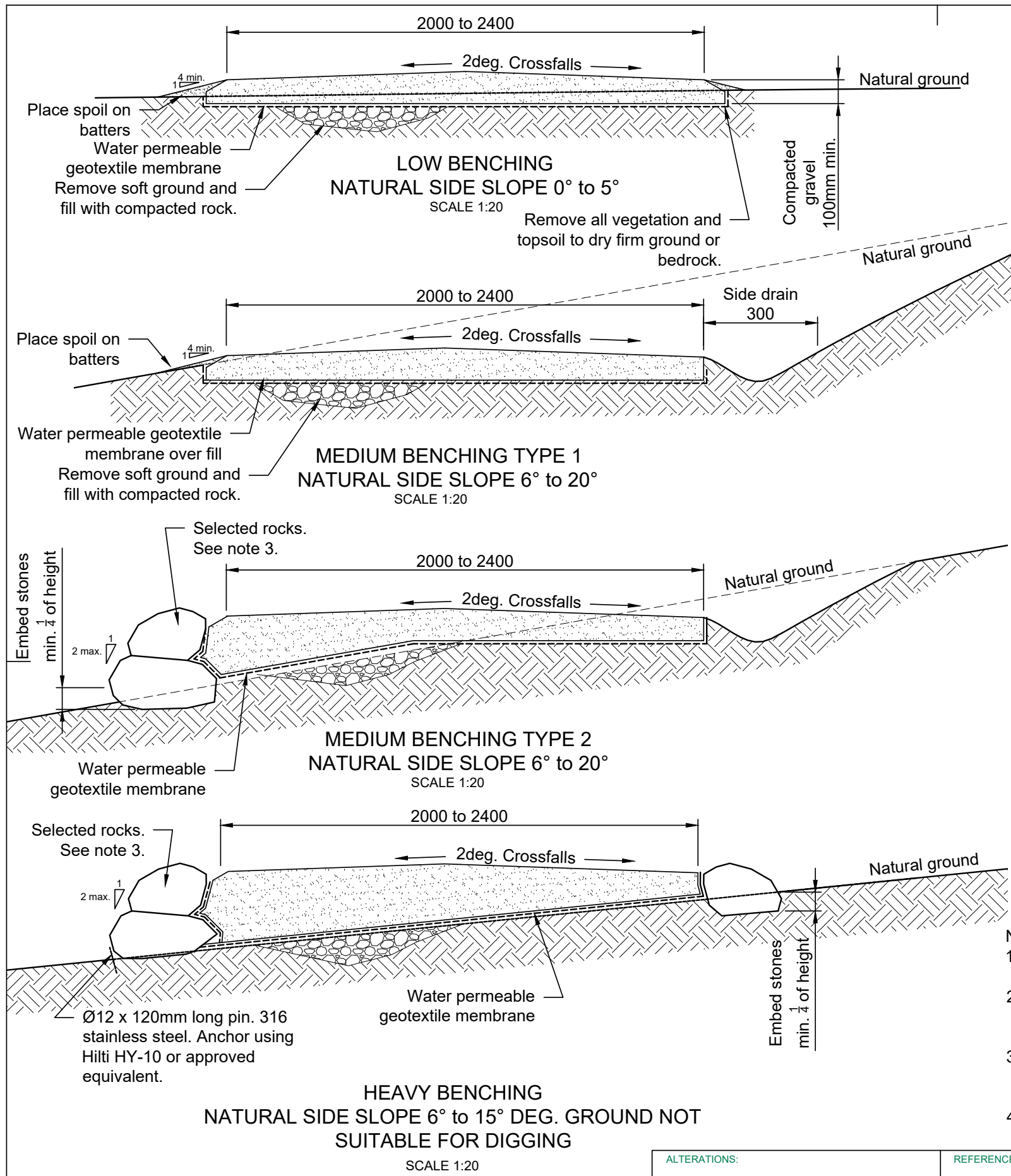
ISSUED FOR INFORMATION

- MATERIALS:**
- Posts: 150 Round H6 Treated Pine.
 - Bearers: 250 x 50 H4 treated, F5 grade treated pine
 - Joists: 200 x 50 H4 treated, F5 grade treated pine
 - Kerbs: 90 x 45 H4 Treated, F5 grade treated pine
 - Cleats and Blocking: 90 x 45 H4 treated, F5 grade treated pine
 - Deck : 38mm thick 38mm square FRP mesh, colour black grey RAL 7021. Fasten with proprietary stainless steel brackets at spacing as recommended by manufacturer.
 - Fasteners and steelwork: 316 stainless steel sizes as indicated.

- NOTES:**
1. No gradient changes are expected to be required. Contact PWS engineering for advice if ramps are required.
 2. Posts are to be mechanically driven to refusal or minimum 1.5m. Alternative footing details are shown if ground conditions are not suitable for driving.
 3. Concrete to be grade N25. Site mix acceptable
 4. Chemical anchor system to be Hilti HIT RE-100 or approved equivalent.



ALTERATIONS:	REFERENCE:	DRAWING TITLE: FREYCINET NATIONAL PARK PROPOSED SHARED USE TRACK BOARDWALK DETAIL		
		DRG NO.: PWS-118986-03	SHT SIZE: A3	
		DRAWN: H LEES	DATE: 03/02/2022	



NOTES:

1. Remove all vegetation, topsoil and soft ground from route. Backfill any holes with crushed rock prior to laying geotextile.
2. Gravel to be decomposed granite from a local certified weed free quarry. Gravel to be minimum 100mm thick, compacted in 75mm layers with mechanical vibrating plate or approved equivalent. Gravel to be maintained at optimum moisture for compacting.
3. Selected rocks to have at least 2 sides that are flat top and bottom. Rocks are to be laid in courses. Rocks can be source within the 10m track corridor or from a local granite quarry. Rocks are to be interlocked and laid back.
4. Where gradient exceeds 1 in 10 and at Richardsons beach access gravel is to be stabilised with Dirt Glue or approved equivalent.

ISSUED FOR INFORMATION

ALTERATIONS:	REFERENCE:	DRAWING TITLE: FREYCINET NATIONAL PARK PROPOSED SHARED USE TRACK GRAVEL TRACK DETAIL			
		DRG NO.: PWS-118986-04	SHT SIZE: A3		REV: 0
		DRAWN: H LEES	DATE: 03/02/2022		